



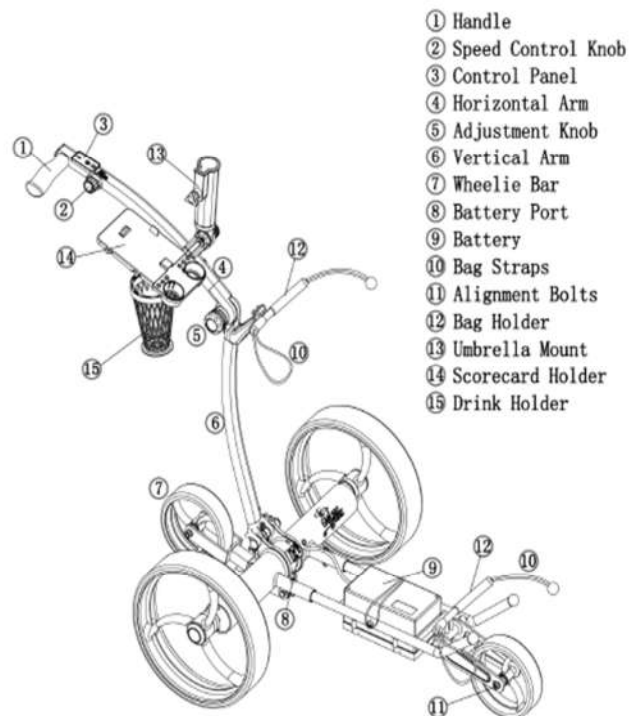
Insanity Golf
For passionate golfers



TABLE OF CONTENTS

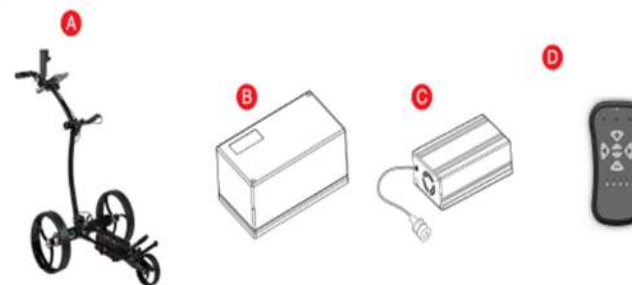
Parts List.....	3
Initial Setup: Wheel Installation.....	4-5
Charging The Battery.....	5
Operation.....	6
To Power Cart On.....	6
Speed Control Knob.....	7
Remote Control Layout.....	7-8
Cart Handle Adjustment.....	9
Securing Bag To Cart.....	9
Remote Mount.....	9
Transportation.....	10
General Maintenance & Caution.....	10

PARTS LIST



INCLUDES

- A. Remote Cart
- B. Battery
- C. Charger
- D. Remote



INITIAL SETUP: WHEEL INSTALLATION

The golf cart will require some assembly once it is removed from the package:

1. Remove all wrapping and green rubber axle caps
2. The wheels will need to be attached for use. In order to attach the wheels, **Push and Hold** the silver push pins on each of the wheels.
3. Slide the wheel over the axle. On each of the wheels are 4 hex bolts. These bolts fit into the holes on the axle hub of each side. The wheel will install correctly when the 4 hex bolts fit into the 4 holes on the axle hub.
4. On each axle there are 2 grooves for the wheel pins to lock into:
 - a. The first groove keeps the wheels on the cart but does not connect the wheels to the motors. This allows the cart to be used as a traditional push cart in the event that your battery dies or would like to push the cart manually.
 - b. The second groove connects the wheels to the motors.
5. The wheel will be correctly connected to the motor when the 4 bolts fit into the 4 corresponding holes on the axle hub. Also the wheel will sit flush against the axle hub rather than have a space.

Axle with 2 Grooves:

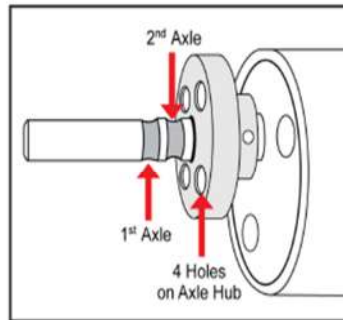


FIG. 1:

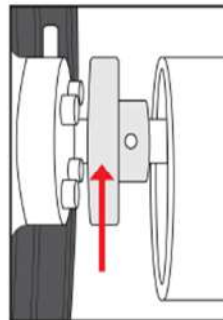


FIG. 2:

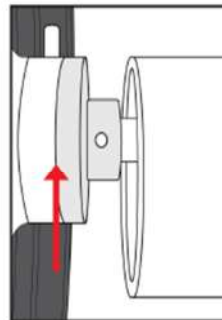


FIG. 1 - Wheel is installed on the first axle groove. Motor is not engaged & the cart can be manually pushed without resistance from the electric motors. The cart will not move using the motors if the wheels are installed on the first groove.

FIG. 2 - Wheel is installed on the second groove. The cart will now move using the motors. Notice the wheel sits flush against the axle hub.

The rear wheelie bar will also need to be attached for use:

- In order to attach, pull up on the knob located on the wheelie bar and slide onto the square bar located on the back of the cart.
- The Wheelie bar will lock into the corresponding hole on the back of the cart. The wheelie bar will "click" into place.
- There are two angles for the wheelie bar:
 - The lower position is recommended to keep the cart stable on all terrain.
 - It is not recommended to use the higher wheelie bar setting unless the cart is being towed.

Once the wheels and wheelie bar have been installed, the cart is ready for use.

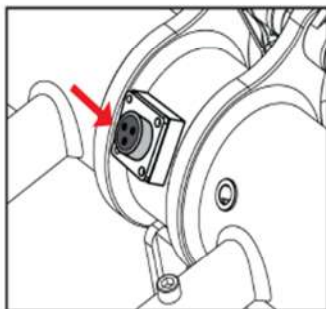
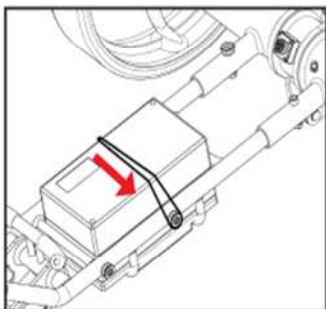
CHARGING THE BATTERY

BATTERY SPECIFICATIONS:

- Lithium Ion battery pack: 25.2 V, 12Ah output, 2000mA
- The Lithium ion battery will run the cart for 27-36 holes. It is recommended that you charge the battery after every use.
- Store the battery with a full charge when not in use.
- Do not leave the battery connected to cart when the cart is not in use. Make sure the battery port and plug are covered when not in use.
- To charge the battery:
 - First, connect the battery to the charger.
 - Next, plug the charger into outlet.
 - The LED indicator on the charger will turn red when the battery is charging and will turn green when the battery is fully charged.
 - When the battery is fully charged, unplug charger from outlet.
 - Next, disconnect the battery from charger.
 - The battery is now ready for use.
 - Charging time can range from 3 to 6 hours depending on previous use
- Do not store the battery completely drained. This can lead to a shorter lifespan of the battery.
- Do not overcharge your battery: charging will end when the indicator light on the charger is green.
- **CAUTION:** do not contact the battery plug pins to any metal object. This may cause electric shock and possible injury.

OPERATION

- First, strap the battery down on the cart so it does not move during operation.
- Plug a fully charged battery to the cart. The plug and port have grooves to specifically align the battery into the cart battery port as well as a red line on the port and the plug. Align the red mark on the plug and port to correctly install. Make sure you remove the port cover on the cart before trying to connect the battery.
- Once you align the grooves on the battery plug and port, connect the battery to the cart port and twist the silver locking collar to ensure the battery remains connected to the cart during use.
- When the battery is not connected, use the plug cover to protect the port from any debris.



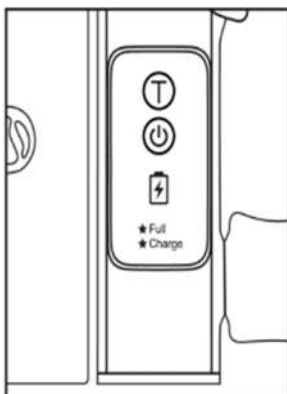
TO POWER CART ON

Connect a fully charged battery to the cart and **Hold** the Power Button located on the cart handle until the power indicator light turns green. To turn the cart off, **Hold** the Power Button until the green light turns off.

- The "T" Symbol above the power button is the Timer Button. Pressing this runs the cart for set time periods:
- Pressed Once: T1: 8 seconds (≈15 yards)
- Pressed Twice: T2: 13 seconds (≈23 yards)
- Pressed 3 Times: T3: 18 seconds (≈37 yards)

Below the power button are 2 indicator lights: a battery symbol and a star symbol.

- The battery shaped Indicator light will emit green when the battery has enough power and is okay for use.
- The star shaped indicator light will be red when the battery is low and needs to be charged.



SPEED CONTROL KNOB

- The silver knob located by the power button & timer button is the Speed control adjustment.
- This knob controls how fast the cart runs **without** the remote.
- The remote can only be used to stop the cart: pressing the middle "circle" button once.
- This knob is used for walking behind the cart without using the remote. The cart will **only** move forward when using the speed control knob.
- To increase speed, turn the knob clockwise; to decrease speed, turn the knob counterclockwise. To stop the cart, turn the knob counter clockwise until the knob does not rotate any further. Also, pressing the power button once on the cart handle will stop the cart.

Do not touch the knob if you are not ready for the cart to move. The Cart will continue to move until the knob is turned to the off position. Also, pressing the power button once or pressing the middle button on the remote will stop the cart.

REMOTE CONTROL LAYOUT



- Press the 'GO/STOP' to turn on the remote control. Press the GO/STOP key to turn off the remote control after every use. The remote will also shut off automatically within 5 minutes.
- The remote control use ordinary AAA battery.

REMOTE CONTROL LAYOUT (continued)

• To Sync the remote: if the cart does not respond using the remote:

1. Check to make sure the battery is connected properly & that the green power light is on. Also make sure the remote is switched on and the blue LED indicator light is blinking when buttons are pressed.
2. If step 1 does not work. Then turn off the cart & remote control power.
3. Press and hold the cart power button for 10 seconds, until the green power light blinking. Then turn on the remote control power.
4. Next, press any button on the remote. The cart should respond from the remote input.
5. After the cart and remote have synced and the cart is now responsive from remote input.
6. The cart should now automatically sync with the remote whenever the remote and cart are powered on.
7. If the cart becomes unresponsive again from remote input, repeat the process of syncing the remote and cart.

• The cart has three speeds in each direction:

1. **UP** - Forward (3 speeds by pressing: once, twice, 3 times)
2. **DOWN** - Backwards (3 speeds by pressing: once, twice, 3 times)
3. **Arrow L** - Left Turn (single clicks or holding)
4. **Arrow R** - Right Turn (single clicks or holding)
5. **'Circle' (middle button)** - Stop
6. **Play/Pause**: this button runs the cart in the forward direction for set periods of time
 - One Press: the cart runs for ≈11 seconds (≈10 yards)
 - Two presses: the cart runs for ≈ 18 seconds (≈20 yards)
 - Three presses: the cart runs for ≈25 seconds (≈30 yards)
 - Note: you can stop the cart by pressing the "circle" button at any time as well as steer the cart using the arrow buttons.

CART HANDLE ADJUSTMENT

- To adjust the angle of the cart handle, loosen (rotate counterclockwise) the black knob located near the upper bag holder.
- Adjust the handle to the desired angle and rotate the knob clockwise to tighten
- **Caution:** When adjusting the handle, loosen the knob enough so there is a space between the "teeth" on the cart handle. If the knob is not loosened enough, the "teeth" can wear and cause adjustment issues.

SECURING BAG TO CART

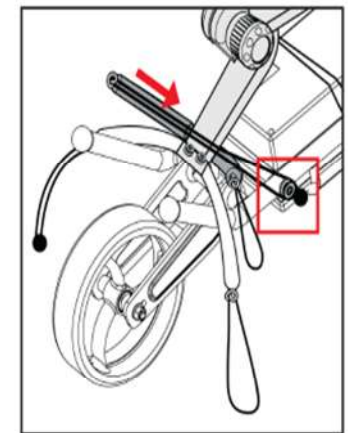
- One end of the straps has a loop and the other end has a plastic ball attached. The loop goes around the ball to secure your bag using tension.
- There is an upper bag strap and a lower bag strap.
- The bottom of your golf bag rests on the 2 angled frame pieces which have a plastic ball attached to the ends.
- If you need more tension on the bag straps to hold your bag in place, tie knots in the straps to increase the amount of tension.

REMOTE MOUNT

- On the back of the remote control, there is a plastic clip, you can slide the remote into your pocket for convenient remote placement.
- Store remote control in closable compartment when the remote is not in use & during transportation.

TRANSPORTATION

- Fold the handle down & tighten the adjustment knob
- Securing arm to cart:
 - With the cart handle folded down, use the lower bag strap (the end with the ball attached) & loop around the upper bag holder
 - Secure bag strap loop to the silver ring mounted on the cart frame. The silver ring is located in front of the cart battery.
- Removing wheels: removing the wheels and wheelie bar for transportation is based upon the users' needs.
- The cart is relatively heavy (≈50 lbs. with battery). When lifting the cart, lift with your legs and not with your back to help prevent injury.



GENERAL MAINTENANCE & CAUTION

- Do not submerge the cart in water! The cart is water resistant but is not fully waterproof.
- Do not use pressured water to clean cart.
- The cart can be used in light rain.
- Store the battery in a warm and dry place (not on a concrete floor).
- The battery is not waterproof. Do not use cart in heavy rain.
- The cart remote is not waterproof. Use caution when using remote in the rain.
- When cleaning the cart:
 - The best way to clean the cart is to wipe off any excess dirt/grass with a wet towel. This reduces the risk of damaging the electronics in the carts.
 - To clean the wheels: remove both rear wheels and rinse using water or wipe wheels using a clean towel. Do not use high pressure water to clean the cart. Clean the front wheel by using water and a clean towel to wipe excess grass and mud away.
- Do not store the battery completely drained. This can lead to a shorter lifespan of the battery.
 - It is recommended that you store the lithium ion battery with at least 50% of charge.
- Do not overcharge your battery: charging will end when the indicator light on the charger is green.
- Do not completely drain the battery. Once the low battery light is on, do not use the motors. Put the cart into manual mode by moving the cart wheels to the first axle groove so the cart can be pushed freely.
- Do not use any sort of lubricant on the cart axles or bearings. They are designed to be debris resistant and do not require lubrication.